

Tee Strainers

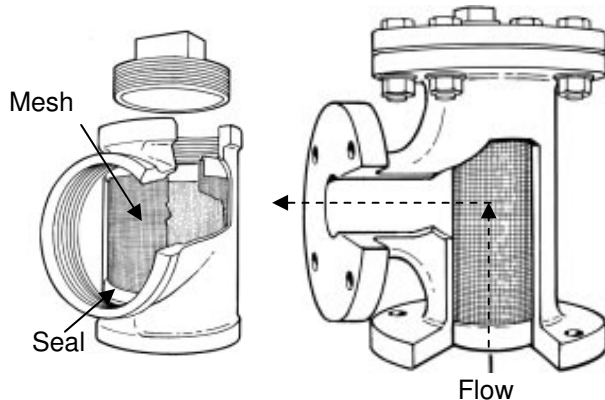
Applications: These strainers are designed to protect downstream equipment from loose scale, weld slag, grit and other foreign material. They are ideal for insertion upstream of gas meters and regulators. Screens are stainless steel and available in 20, 40, 60, 80, 100 and 120 mesh.

Tee Strainers have a removable Screen Cylinder.

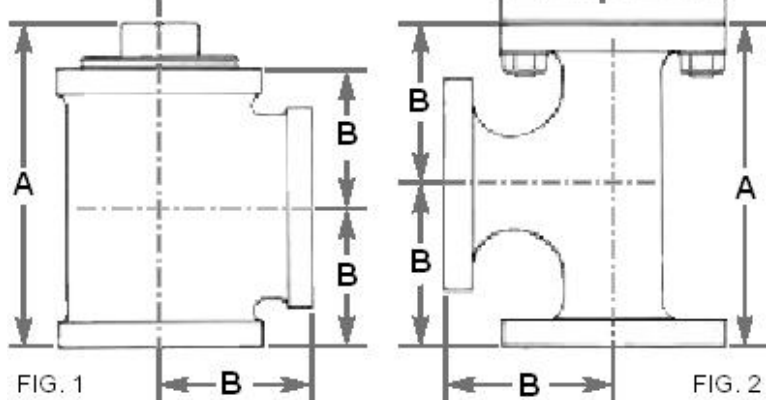
- Removable cap permits element to be easily inspected and cleaned.
- Seal gaskets constructed of resilient polyvinyl.
- Available in 1" to 4" NPT and 2" – 4" ANSI 150 Flanged
- Pete's plug can also be installed for easy pressure verification.



Construction



Dimensions



Typical Installation

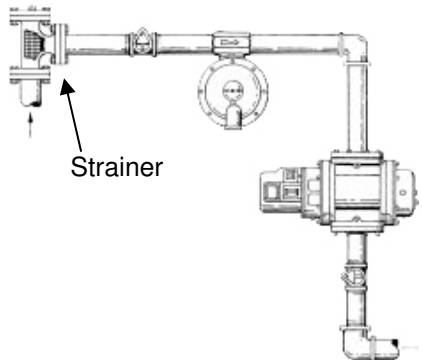


FIG 1	A	B
1"	3 5/8"	1 1/2"
1 1/2"	4 3/4"	1 7/8"
2"	5 1/2"	2 1/4"
3"	7 1/8"	3 3/16"
4"	9 1/2"	3 15/16"

FIG 2.	A	B
2" FL	9 7/16"	4 1/2"
3" FL	11 13/16"	5 1/2"
4" FL	13 7/8"	6 1/2"

Install the T-strainer upstream of the regulator to protect both devices.

For Sales & Service Contact:
 Meter, Valve & Control
 1499 Sunnybrook Road
 Alamo, CA 94507
 Phone: (877)566-3837
 Fax: (925) 407-2903

Meter, Valve & Control
www.metervalveandcontrol.com
sales@metervalveandcontrol.com

Doc. Ref: F02A_T_Strainer_FFC_v. 1

